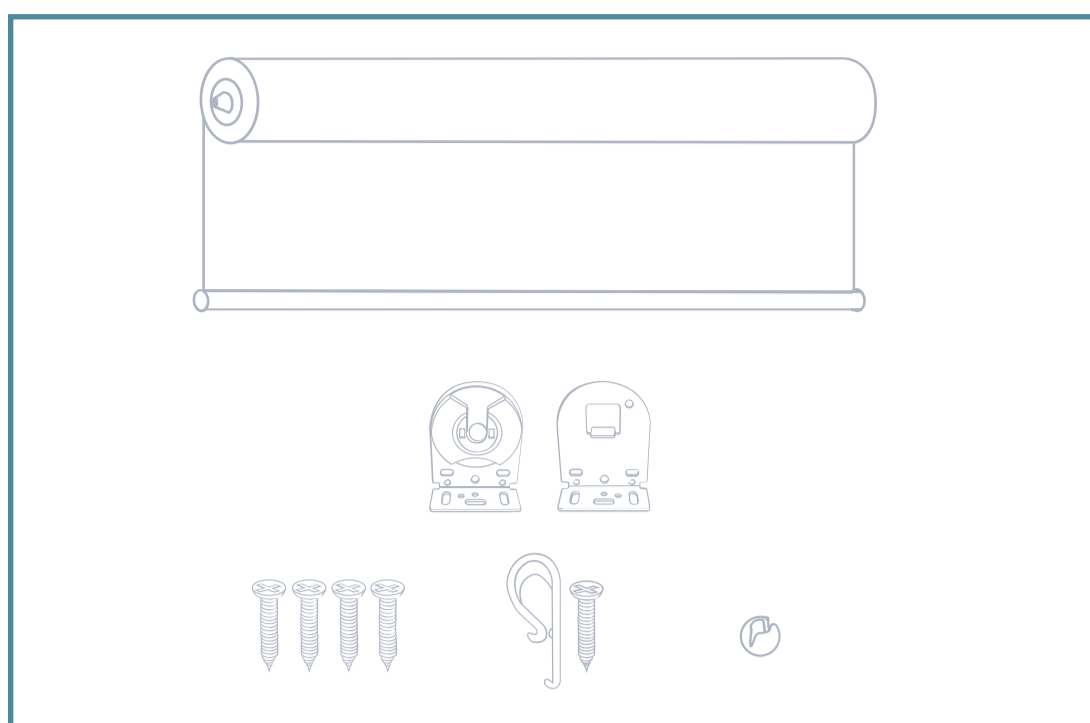


LET'S GET STARTED

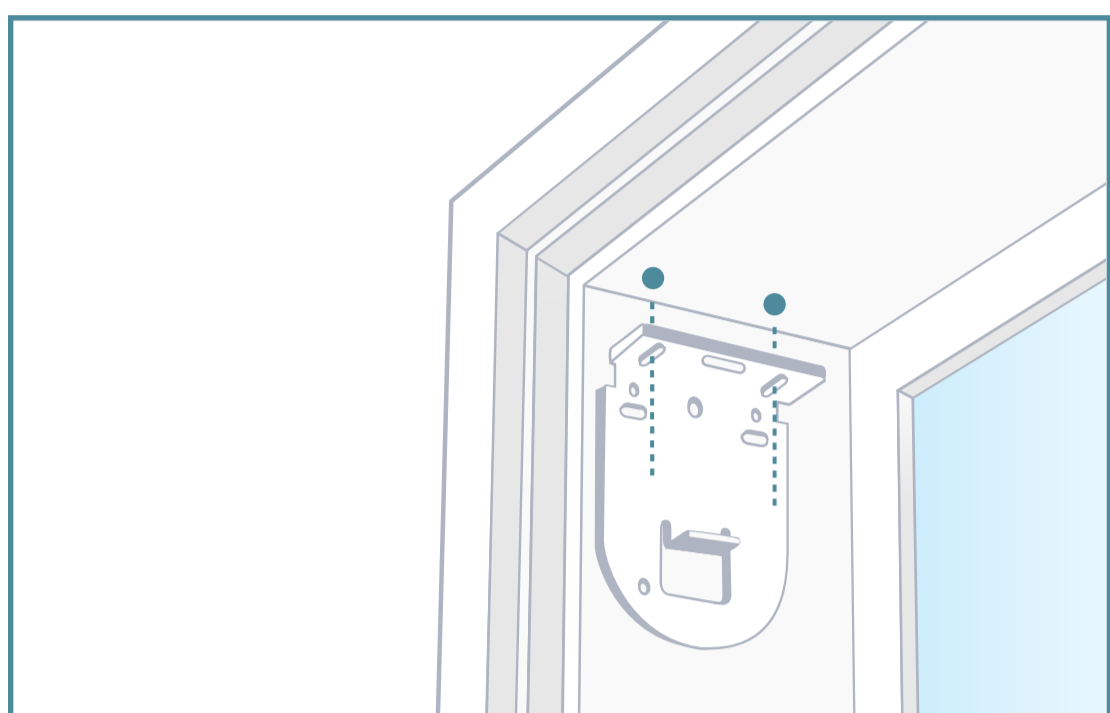
Installing your blind is easy and fun. Follow these 6 steps, then kick back and admire a job well done. Here's how to do it:

1 Get organised

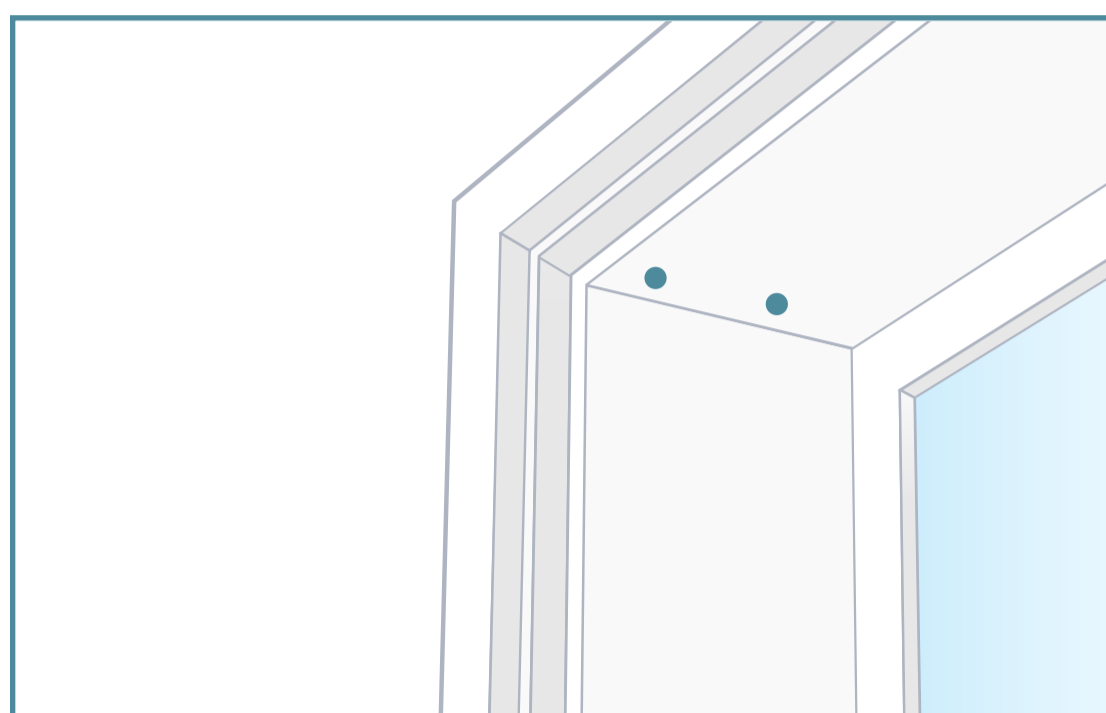


Unpack your custom kit, and lay out your roller blind on a clean floor, under your window.

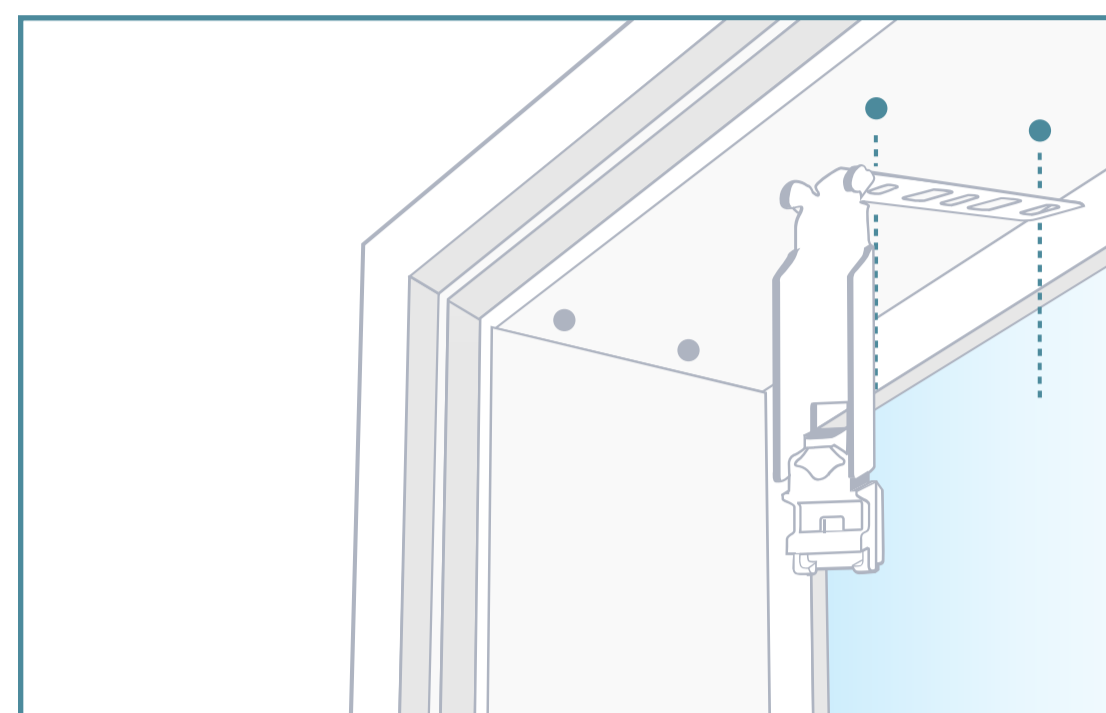
2 Mark up



Take your pencil and both brackets. Lift each bracket up into position and mark two level dots where the screws will attach the bracket to the frame.

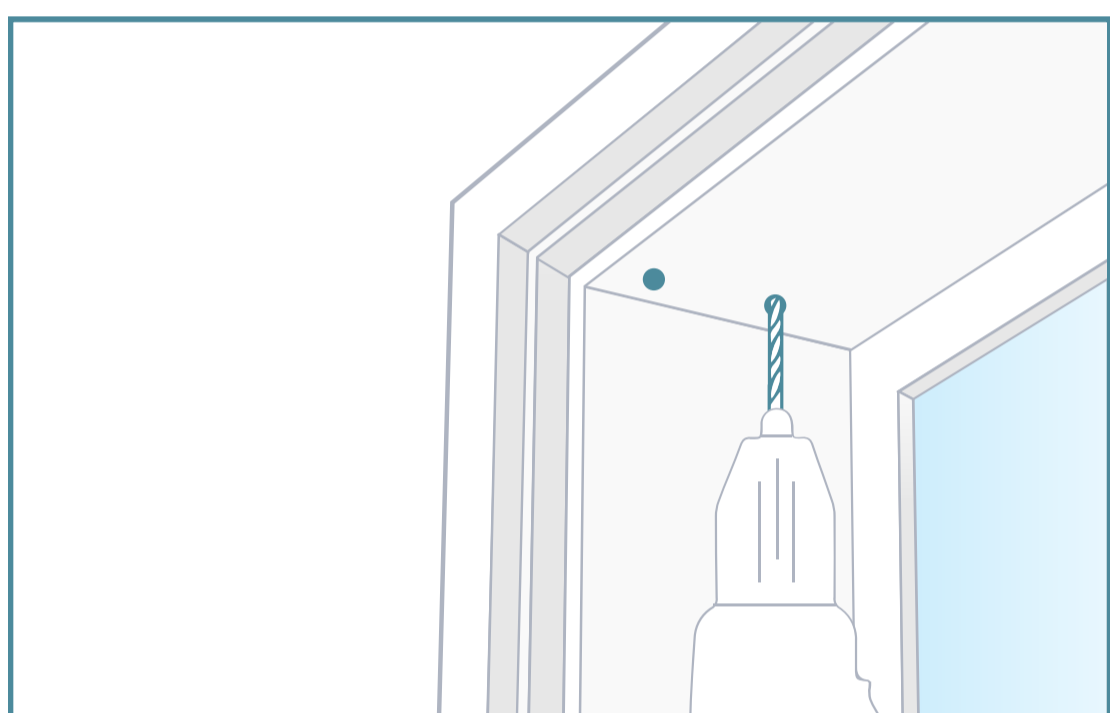


This will be in the top corners, inside your frame. Allow 10 mm of clearance out from the glass in your windows. Also remember to allow for minor obstructions.

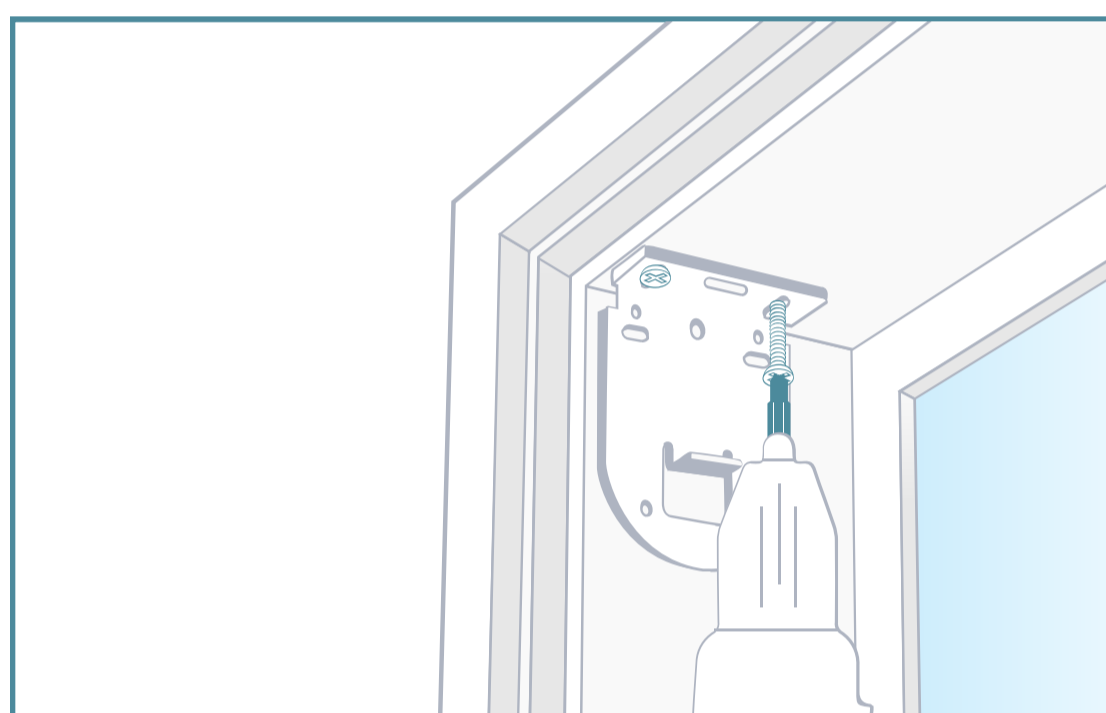


If you have a pelmet, take your two pelmet sprung brackets. Place each bracket on the underside of your frame at the top, a little way out from each blind bracket. Line up the face of the bracket with the front edge of your frame. Mark two dots where the screws will attach the bracket to the frame.

3 Attach your brackets

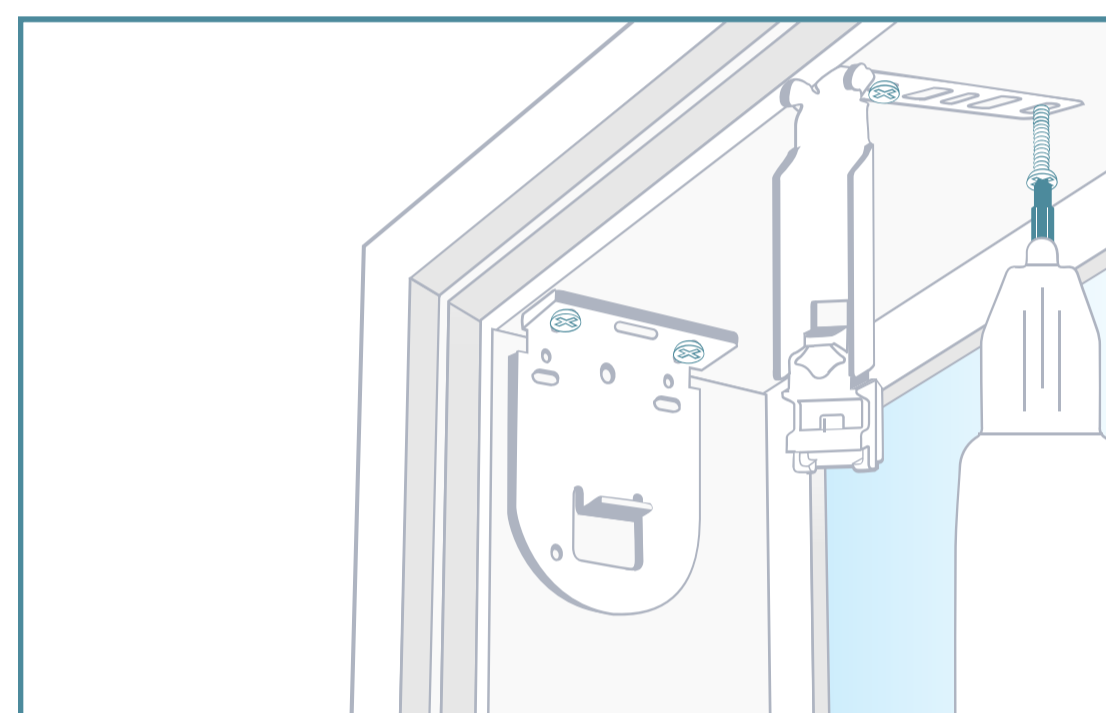


Using your cordless drill with the 3 mm drill bit, pre-drill 2 holes where you marked the two pencil dots.



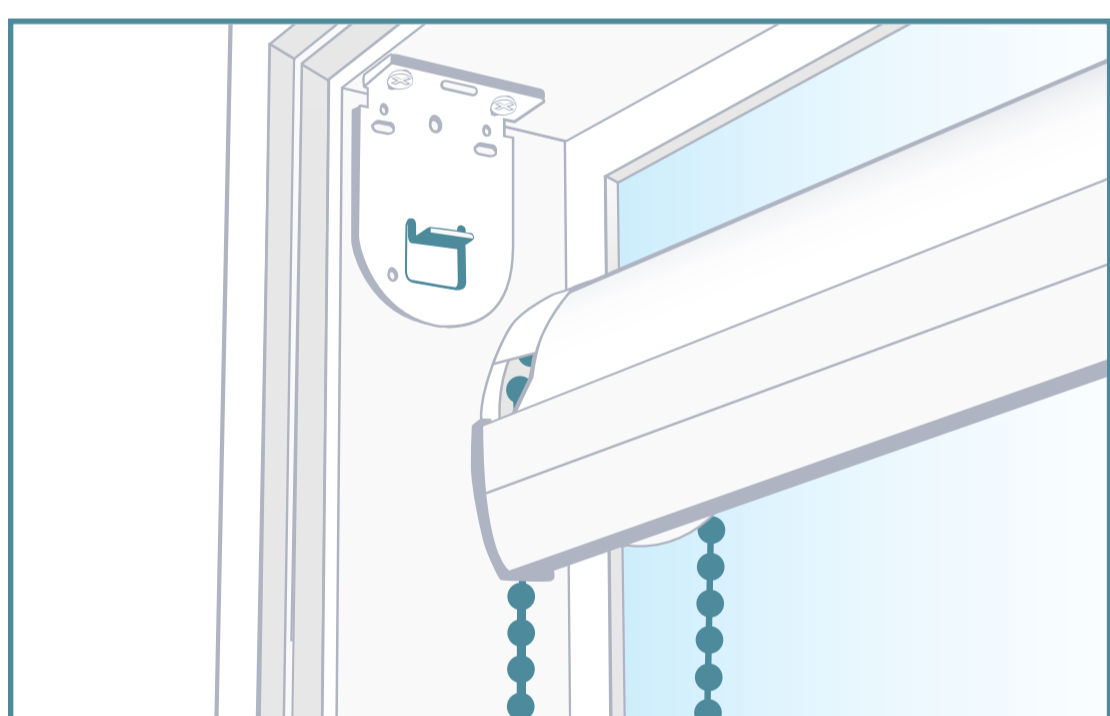
Pick up the chain drive bracket and position it on the side of the frame where your chain will sit. The holes in the bracket should be directly over the two holes you just drilled. Secure the bracket with the screws in your custom kit, using your cordless drill with the Phillips head drill bit.

Repeat the process for the pin end bracket.

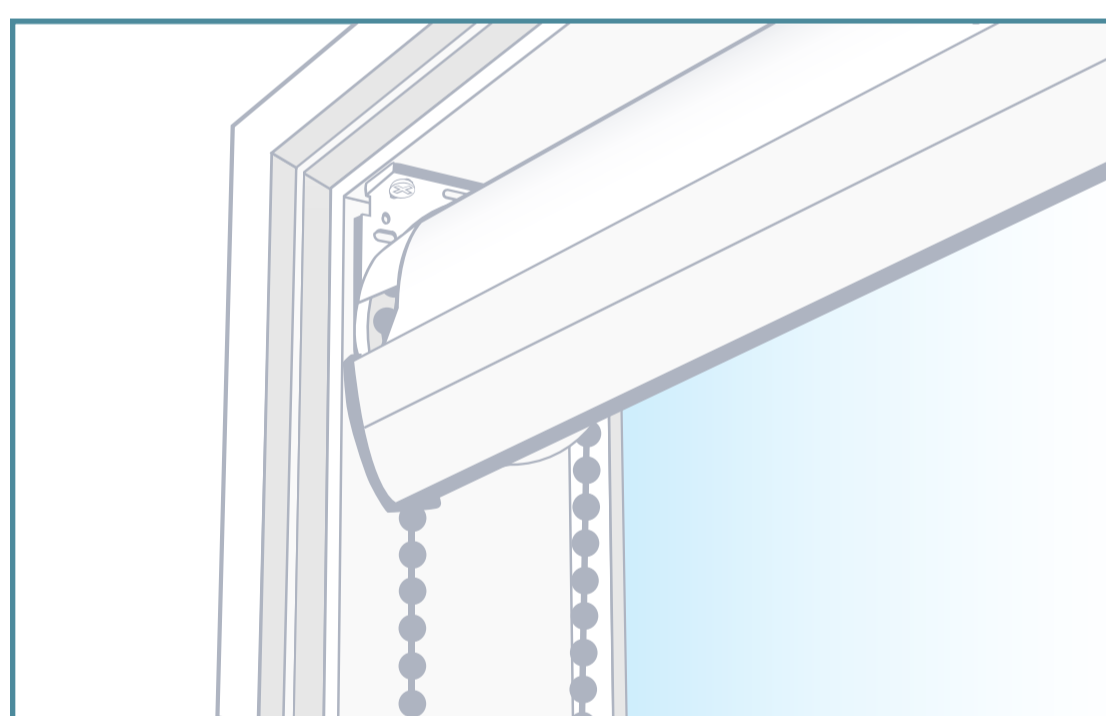


If you have a pelmet, pre-drill 2 holes for each pelmet sprung bracket, where you marked the pencil dots. Secure your pelmet sprung brackets with the screws in your custom kit, using your cordless drill with the Phillips head drill bit.

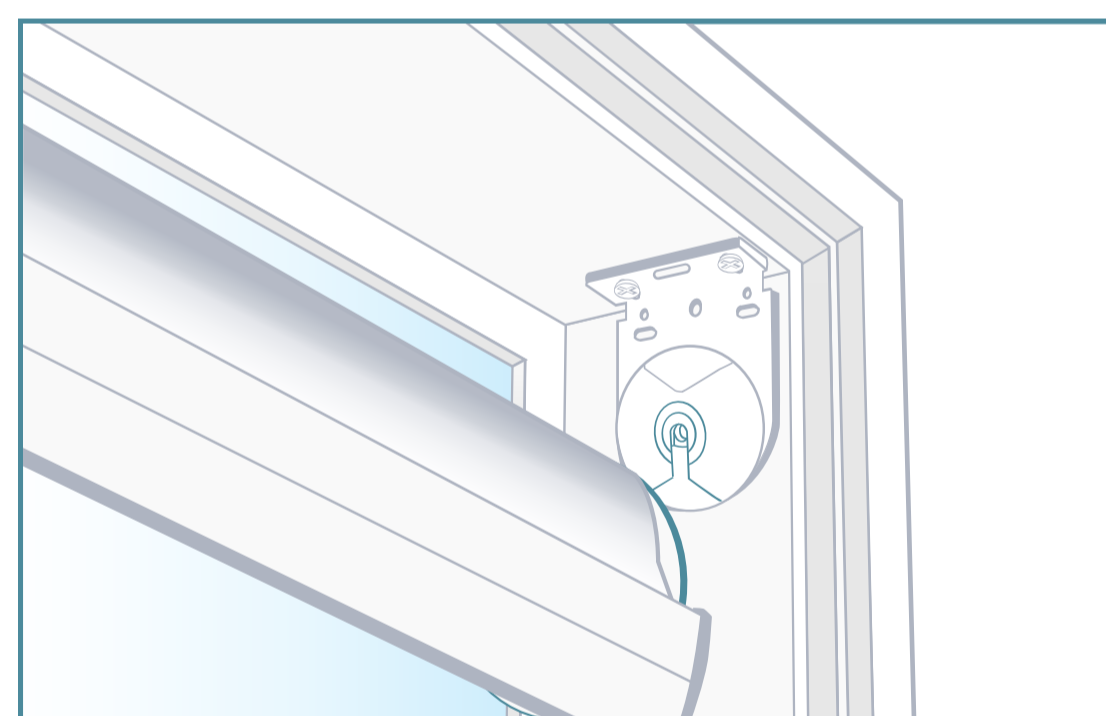
4 Click in your blind



Pick up your roller blind and make sure your chain is on the same side as your chain bracket. Check that the hood over the chain is at 12 o'clock and the ACMEDA logo is at 6 o'clock.



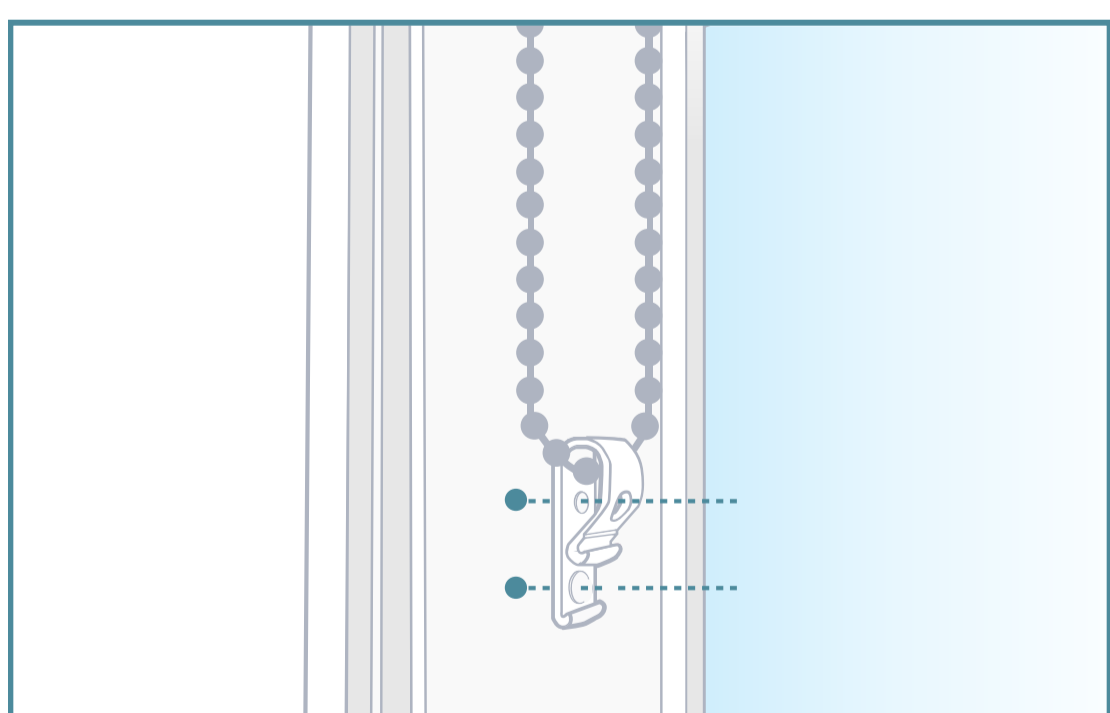
Gently slot the chain end into the chain drive bracket.



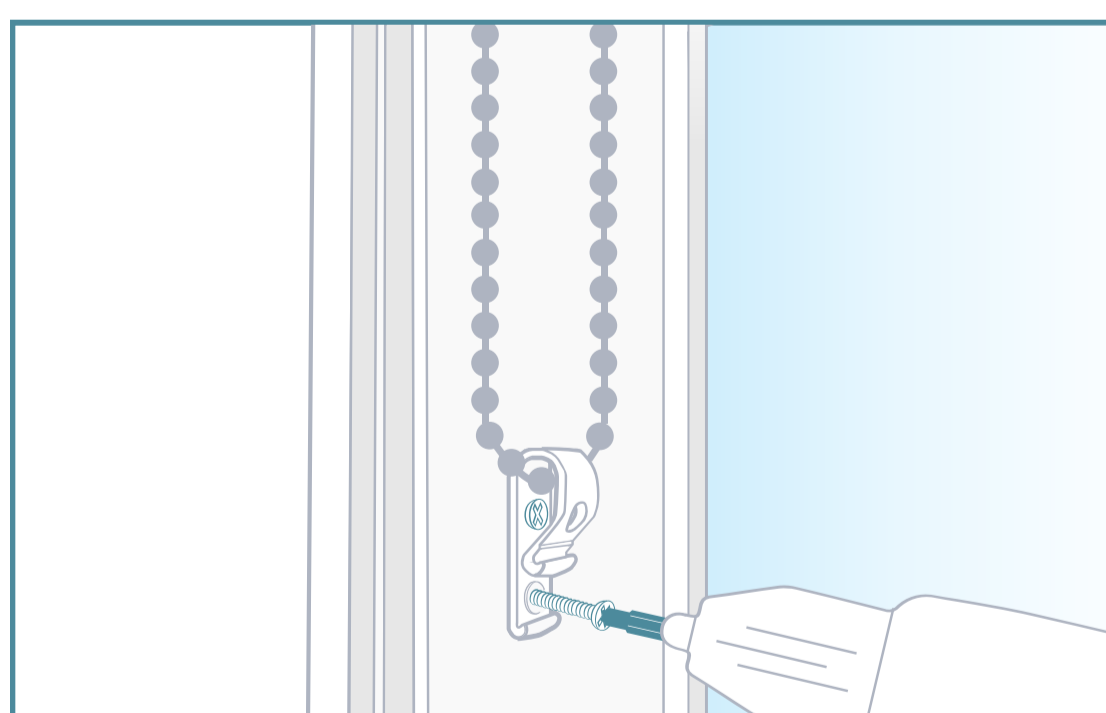
Then slot the pin end into the pin end bracket, until you hear a click.

Not a perfect fit? Don't stress. Your blind should click into the brackets easily. But if it doesn't, go to 'I need some extra help' at the bottom.

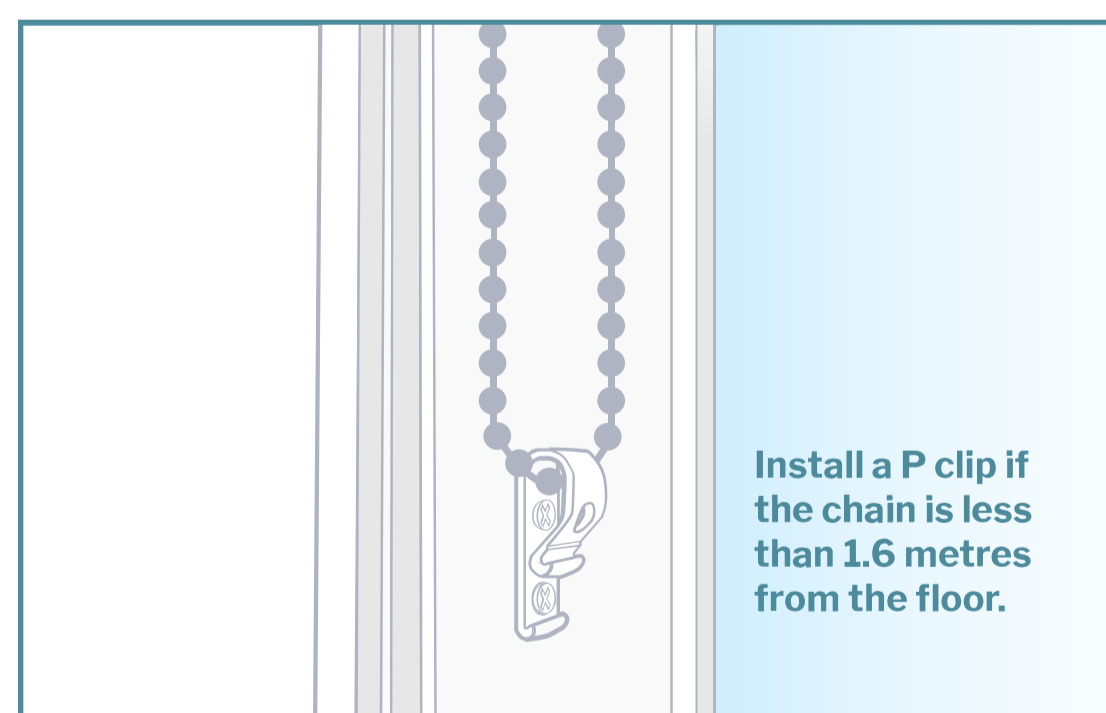
5 Make it child safe



Click the p clip onto the bottom of the chain loop, then hold it into position and mark a dot where the screw will attach the p clip to the frame. Remember the chain should hang down with minimal tension.



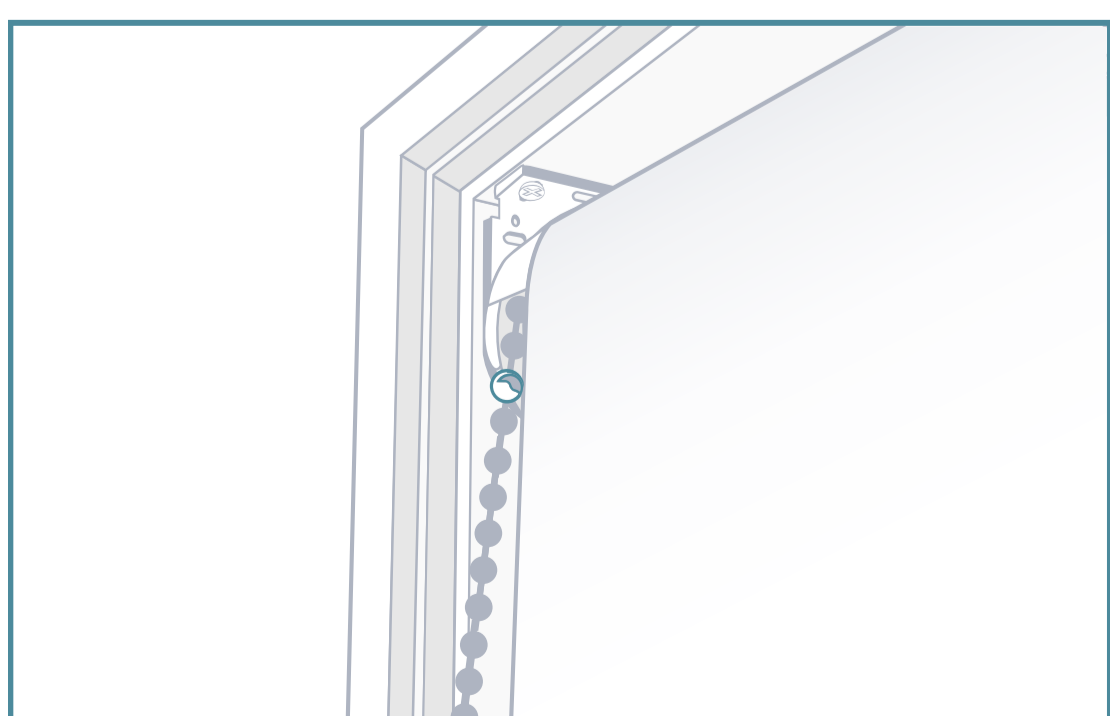
Screw the p clip onto your frame, using your cordless drill with the Phillips head drill bit. Remember that attaching to a wooden frame or wall studs is best, otherwise do your homework.



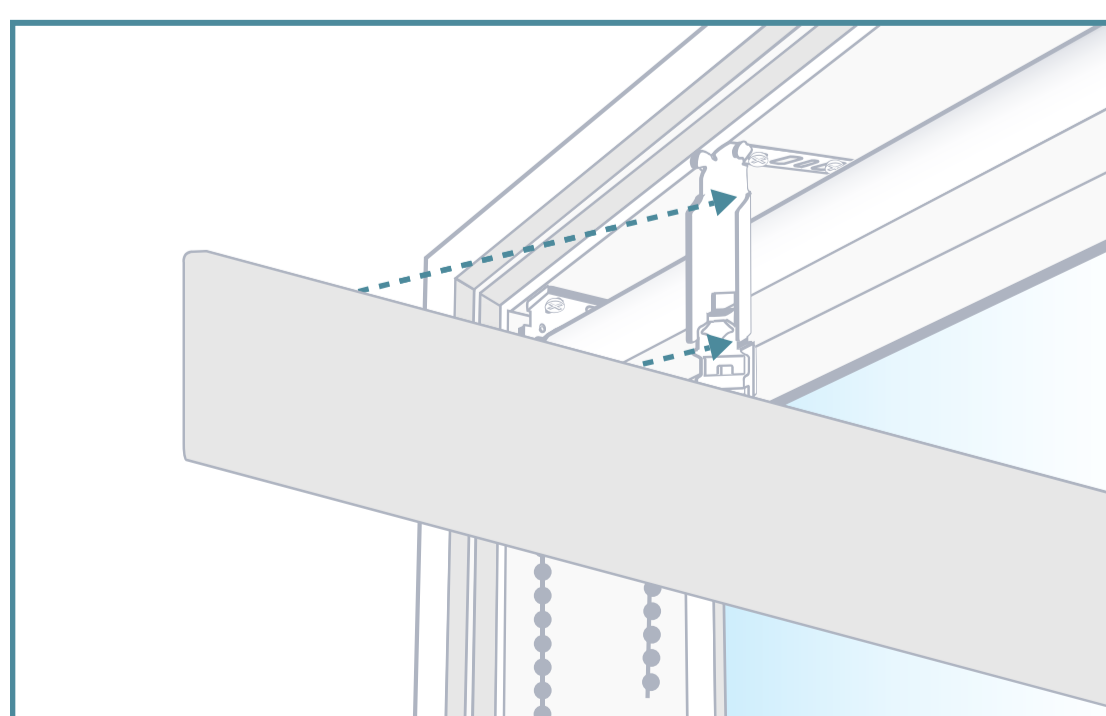
Install a P clip if the chain is less than 1.6 metres from the floor.

We take Australian child safety laws seriously. They state you must install a P clip if the chain is less than 1.6 metres from the floor. This is to prevent any risk of strangulation. See 'Let's get real about child safety' at the bottom for more info.

6 Get Insta ready



Use the ball stopper to adjust precisely where the blind rolls down to. Roll it down until you're happy with where it finishes, then grab your ball stopper and click it into the very top of the chain. This will help maximise the life of your blinds by taking some pressure off the fabric.



If you ordered a pelmet, attach it to one bracket then use a small amount of force to clip in the other side. Once it's up, the pelmet sits neatly in the pelmet returns and your blind rolls up and down easily.